

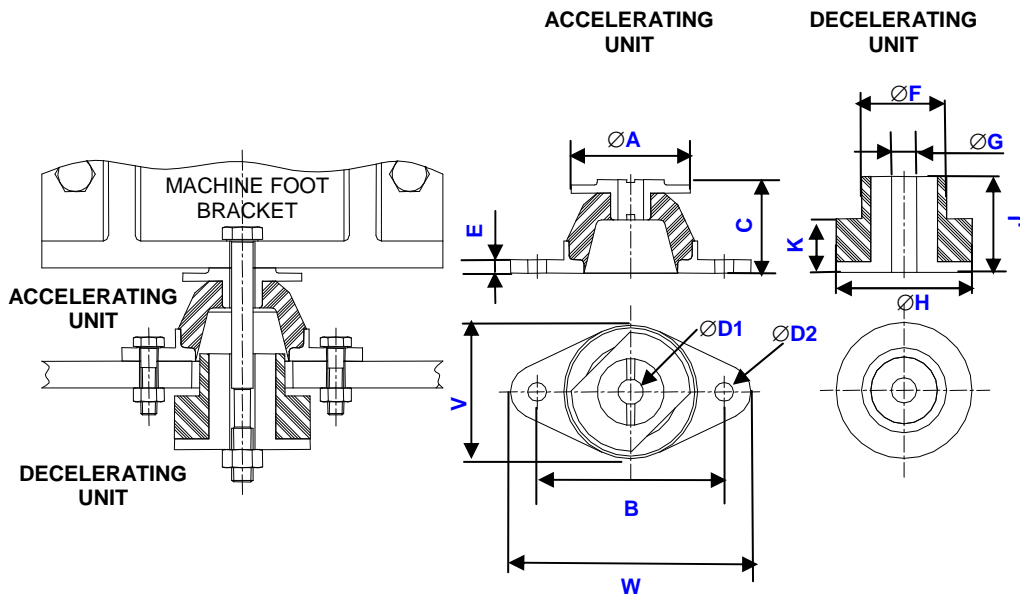
rubber spring mounts

series

navy shock line "L" & "M"

RSL / RSM

definition



- Vertical anti-vibration/shock mounts.
- Natural rubber and aluminium bronze materials.
- Captive support.
- Installed on fast-running machinery and static equipment.
- Load range from 180 to 680kg.
- Temperature range : -30°C +70°C.



Type	L mount								M mount
Nominal load (kg)	10	14	18	27	45	70	115	450	
Static deflection (mm)	3.8	2.8	4.1	4.6	5.2	5.5	6.0	16	
Axial natural frequency (Hz)	8 / 10	8 / 10	9 / 10	8.5 / 9	7.5 / 9	7 / 8	6.5 / 8	4.1 / 5.1	
Maximum shock deflection acceleration (mm)	19	19	19	19	25	25	25	31.7	
Maximum shock deflection deceleration (mm)	9.5	9.5	9.5	9.5	9.5	9.5	9.5	9.5	
Accelerator unit	-010A	-014A	-018A	-027A	-045A	-070A	-115A	-450A	
ØA (mm)	44	49	57	59	70	83	89	168	
B (mm)	70	76	89	92	105	124	130	238	
C (mm)	35	37	40	41	49	57	59	114	
ØD1 (mm)	9,5	11	14	14	14	19,5	21	22	
ØD2 (mm)	7	7	11	11	11	14	14	13,5	
E	6	6	6	6	8	10	13	25	
V	54	60	67	68	83	95	102	192	
W	86	92	111	114	127	152	158	289	
NATO stock number : 5340-99-	541-2542	541-2543	541-2544	541-2545	541-2546	541-2547	541-2548	531-8247	
Decelerator unit	-010D	-014D	-018D	-027D	-045D	-070D	-115D	-450D	
ØF (mm)	32	32	38	38	45	45	48	44,5	
ØG (mm)	9,5	11	14,5	14,5	14,5	17,5	20,5	22	
ØH (mm)	51	51	57	57	67	67	70	82,6	
J	32	33	36	38	39	43	44	44,4	
K	16	16	19	19	19	19	19	19	
NATO stock number : 5340-99-	541-2549	541-2550	541-2551	541-2552	541-2553	541-2554	541-2555	531-8248	

Example :
RSL-045D

R S L - 0 4 5 D

Prefix :
"Rubber Spring" mount from :
- the L mount series : **RSL**
- the M mount series : **RSM**

Model : -045
nominal static load : 45 kg

Suffix :
A : Accelerating unit
D : Decelerating unit

01/07/2013

Socitec
BP 33, 78501 Sartrouville cedex - France
Telephone : +33 (0)1 61 04 60 00
Fax : +33 (0)1 39 14 03 27
http://www.socitec.com
e-mail : shock-intl@socitec.com

Document subject to modification without prior notice

