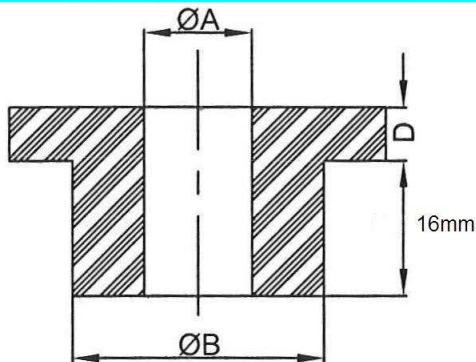


# rubber spring mounts navy shock line "Q"

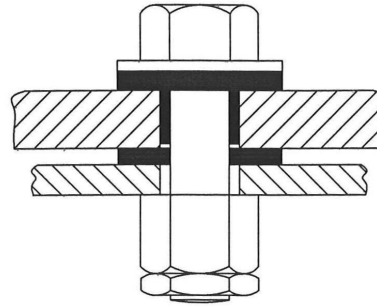
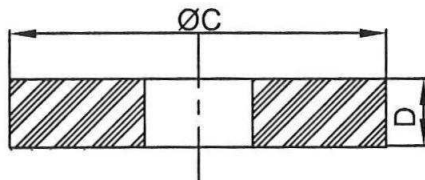
## series RSQ

### definition

Bush B



Washer W



- Protection against high frequency vibration/shock.
- 5 to 45kg load range.
- Natural rubber material.
- Instrument panels protection.
- Self-contained mounting.
- Temperature range : -30°C +70°C.
- Method of Design :  
The size of mounting is chosen by dividing the weight of the equipment by the number of attachment points. Each size may bear a load of between its maximum rated load and 1/5<sup>th</sup> of that mount.

|                                  |             |             |             |             |             |             |
|----------------------------------|-------------|-------------|-------------|-------------|-------------|-------------|
| Max Supported mass (Kg)          | 5           | 10          | 18          | 27          | 36          | 45          |
| Static deflection (mm)           | 0.5         | 0.6         | 0.8         | 1.0         | 1.3         | 1.3         |
| Natural frequency (Hz)           | 23          | 20          | 18          | 16          | 14          | 14          |
| Shock deflection (mm)            | 2.0         | 2.5         | 3.0         | 4.1         | 5.1         | 5.1         |
| Shock Natural frequency (Hz)     | 40          | 40          | 35          | 32          | 30          | 30          |
| <b>D</b> ( mm )                  | 3           | 5           | 5           | 6           | 8           | 8           |
|                                  |             |             |             |             |             |             |
| <b>Bush</b>                      | <b>-05B</b> | <b>-10B</b> | <b>-18B</b> | <b>-27B</b> | <b>-36B</b> | <b>-45B</b> |
| <b>A</b> ( mm )                  | 6           | 8           | 10          | 12          | 16          | 20          |
| <b>B</b> ( mm )                  | 14          | 18          | 19          | 25          | 32          | 35          |
| NATO stock number : 5340-99-923- | 9374        | 9373        | 9372        | 9371        | 9370        |             |
|                                  |             |             |             |             |             |             |
| <b>Washer</b>                    | <b>-05W</b> | <b>-10W</b> | <b>-18W</b> | <b>-27W</b> | <b>-36W</b> | <b>-45W</b> |
| <b>C</b> ( mm )                  | 21          | 27          | 30          | 38          | 44          | 48          |
| NATO stock number : 5340-99-923- | 7036        | 7035        | 7034        | 7033        | 7030        |             |

**Example :**  
RSQ-018W



**Prefix :**  
"Rubber Spring" mount  
from the series **RSQ**

**Model : -18W**  
Washer for 18Kg load  
Diameter : 30mm  
Thickness : 5mm

01/03/2014

Socitec  
BP 33, 78501 Sartrouville cedex - France  
Telephone : +33 (0)1 61 04 60 00  
Fax : +33 (0)1 39 14 03 27  
<http://www.socitec.com>  
e-mail : [shock-intl@socitec.com](mailto:shock-intl@socitec.com)

Document subject to modification without prior notice

