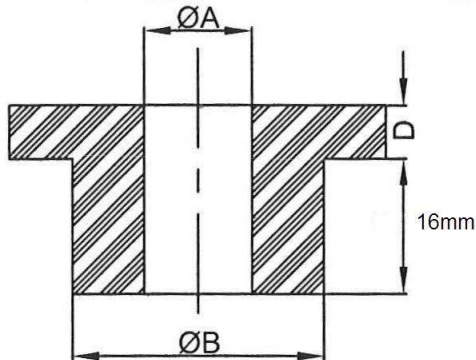


rubber spring mounts navy shock line "Q"

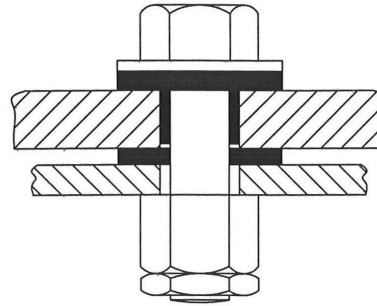
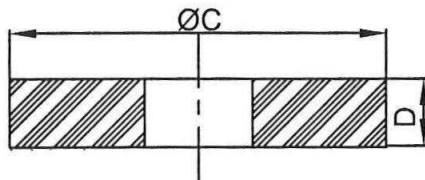
series
RSQ

definition

Bush B



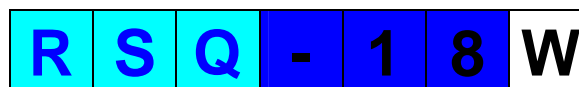
Washer W



- Protection against high frequency vibration/shock.
- 5 to 45kg load range.
- Natural rubber material.
- Instrument panels protection.
- Self-contained mounting.
- Temperature range : -30°C +70°C.
- Method of Design :
The size of mounting is chosen by dividing the weight of the equipment by the number of attachment points. Each size may bear a load of between its maximum rated load and 1/5th of that mount.

Max Supported mass (Kg)	5	10	18	27	36	45
Static deflection (mm)	0.5	0.6	0.8	1.0	1.3	1.3
Natural frequency (Hz)	23	20	18	16	14	14
Shock deflection (mm)	2.0	2.5	3.0	4.1	5.1	5.1
Shock Natural frequency (Hz)	40	40	35	32	30	30
D (mm)	3	5	5	6	8	8
Bush	-05B	-10B	-18B	-27B	-36B	-45B
A (mm)	6	8	10	12	16	20
B (mm)	14	18	19	25	32	35
NATO stock number : 5340-99-923-	9374	9373	9372	9371	9370	
Washer	-05W	-10W	-18W	-27W	-36W	-45W
C (mm)	21	27	30	38	44	48
NATO stock number : 5340-99-923-	7036	7035	7034	7033	7030	

Example :
RSQ-018W



Prefix :
"Rubber Spring" mount
from the series **RSQ**

Model : -18W
Washer for 18Kg load
Diameter : 30mm
Thickness : 5mm

01/03/2014

Socitec
BP 33, 78501 Sartrouville cedex - France
Telephone : +33 (0)1 61 04 60 00
Fax : +33 (0)1 39 14 03 27
<http://www.socitec.com>
e-mail : shock-intl@socitec.com

Document subject to modification without prior notice

